

Treason at the Air Force Space Command



On the cover: General John "Jay" W. Raymond, Commander
Family members: Mollie Raymond, John Raymond, Amy Raymond, Garry Raymond,
Christina Raymond

By Richard Lighthouse

Treason at the Air Force Space Command
Published by Richard Lighthouse at smashwords.com
Commercial Commons 4.0 License, 2018 by Richard Lighthouse. Please acknowledge
source.

ISBN: 9781370906369

<https://www.smashwords.com/books/view/783248>

Limit of Liability/Disclaimer of Warranty: This short ebook expresses the opinions of the author. All comments and statements are opinions of the author. If you disagree, then write your own book. While the author has used his best efforts in preparing this document, he makes no representations or warranties with respect to the accuracy or completeness of the contents and specifically disclaims any implied warranties or fitness for a particular purpose.

No warranty may be created or extended by sales representatives or sales materials. The author shall not be liable for any loss of profit or any other commercial damages, including but not limited to incidental, special, consequential, or other damages.

About:

Many of my books can be found for FREE at: Apple iBooks, Amazon.com, Lulu.com, Smashwords.com, BarnesandNoble, Google Play, kobo, and other websites.

Original 1A – 22 January 2018

Houston, Texas, U.S.A.

Revision 2B - 26 April 2018

This ebook is dedicated to the courageous elected officials in Washington that continue to confront the Deep State, including Senator Rand Paul, Senator Ron Wyden, Congressman Justin Amash, Congressman Thomas Massie, and Congresswomen Tulsi Gabbard.

“[There] exists a shadowy Government with its own Air Force, its own Navy, its own fundraising mechanism, and the ability to pursue its own ideas of the national interest, free from all checks and balances, and free from the law itself.”

— *Senator Daniel K. Inouye (1987)*

Treason at the Air Force Space Command

TABLE OF CONTENTS

Chapter 1:

[Introduction](#)

Chapter 2:

[Conclusions](#)

Chapter 3:

References

Abstract

Rev 2B - This short ebook provides the author's opinions and accuses 12 military officers of High Treason against the United States (The Dirty Dozen). The Air Force Space Command, headquartered in Colorado Springs, Colorado, is the primary organization that is using microwave satellite technology to track and attack civilians all around the world. These civilians are known as Targeted Individuals. Many of these civilians are political activists and whistleblowers – people that the Deep State would like to silence. The family relationships of Targeted Individuals have been destroyed through the use of subliminal messaging. Their careers, and finances can be ruined. It is a conspiracy of enormous magnitude, affecting 170 thousand people, by the latest estimates.

The original satellites for this illegal program were launched in the late 1980's, as part of President Reagan's Star Wars program or Strategic Defense Initiative (SDI). The satellites were designed to track and attack ballistic missiles. Unfortunately, the Deep State decided to put these satellites to purposes that violate international treaties and the U.S. Constitution. Do not underestimate that these actions constitute Treason against the United States and its sovereign citizens, and this is the reason that the CIA and Air Force will go to great lengths to hide this program. The Council on Foreign Relations (CFR) is the source of this corruption, in my opinion, where David Rockefeller was the CEO and Chairman for many years.

General John W. Raymond is the current commander of this criminal enterprise.

The executive officers at Peterson Air Force Base and Schriever Air Force Base are listed below.

Each one of these officers swore an oath of allegiance to “support and defend the Constitution of the United States against all enemies, foreign and domestic.”

This following accusation is an opinion of this author:

For aiding, abetting, or directing the use of microwave military weapons against U.S. citizens, in my opinion, these military officers are guilty of High Treason against the United States:

The Dirty Dozen:

1. General David. L. Goldfein, Air Force Chief of Staff
2. Dr. Heather Ann Wilson, Secretary of the Air Force
3. General John W. Raymond
4. Major General Stephen N. Whiting
5. Major General Robert J. Skinner
6. Mr. Scott M. Anderson

7. Colonel Todd R. Moore
8. Colonel Eric S. Dorminey
9. Colonel John L. Doucet III
10. Colonel Jennifer L. Grant
11. Colonel Jacob E. Middleton
12. Colonel Devin R. Pepper

My accusation is backed by the statements of 20 medical doctors, scientists, and former intelligence agents, that have stated these crimes are real and happening globally (see TargetedJustice.com & BiggerThanSnowden.com). Many thousands of citizens are being attacked using these satellites under the command and control of the United States Air Force.

It is difficult to believe these officers are unaware of the Treason and War Crimes that are occurring under their command, or that they are not involved. There are far too many logistical, support, and authorization issues for it to be hidden from the officers.

To those that feel Dr Wilson should not be on this list, I have the following:

While a Congresswomen from New Mexico, Dr Wilson experienced the constant bullying and threats from the American Israeli Political Affairs Committee (AIPAC), as all Congressmen do. She is fully cognizant of this criminal organization and whom it represents. She is fully aware of the Council on Foreign Relations, which is controlled by the Rockefellers, and the international private banks that control the Federal Reserve. Make no mistake – she knows.

While in Congress, she enjoyed a level of pretense, that she was unaware of the corruption and had no direct responsibility to solve it, even in contradiction to the oath that she swore. However, as an executive over the Air Force, she enjoys no such pretense. She is fully responsible for the activities and criminal acts under her leadership. I will grant her no quarter.

The family names have been added to this revision so readers can appreciate that Targeted Individuals have watched their family relationships destroyed by these criminals. The best way to counter that – is to let the family members of these Air Force officers feel the shame that is so obscenely disregarded by these treasonous government criminals.

As I have previously stated, Air Force Space Command tracks every active satellite in orbit-about 1,400 satellites. They know who launched it and they know what signals it transmits. So if the Air Force wants to pretend they don't know the source of these microwave attack signals, then they can easily provide the information about the country and organization that is doing this. No other organization in the world has this information.

Name them and shame them.

Introduction

The Air Force Space Command has about 38,000 employees, based at many locations, and

has its headquarters in Colorado Springs at Peterson Air Force Base. As previously noted in my ebooks, the satellite tracking frequencies have been scientifically measured at 3600 MHz - 3750 MHz, and the attack frequencies are 3920 MHz – 3935 MHz. These frequencies are confirmed by the FCC frequency allocation table. See the ebook “Targeted Individuals: Technical Information”



Figure 1. Headquarters - Air Force Space Command, Peterson Air Force Base. Note that google.com/maps shows a different building and different location for the headquarters. (I wonder who would alter information on google maps?)



Figure 2. One of the Operational Rooms at Air Force Space Command, Peterson Air Force Base.

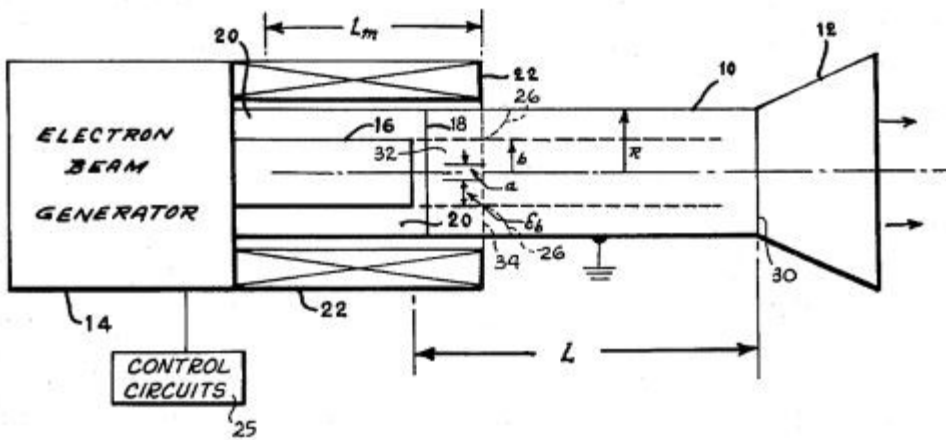


Figure 3. Vircator - Microwave satellite weapon. From U.S. Patent 4345220

There are 4 active-duty squadrons within the 50th Operations Group, under the Air Force Space Command. According to the LinkedIn Profile of Charles Shurchay (Superintendent - Air Force Space Command) there are 1,300 personnel, 7 DoD Satellite constellations, and 9 weapon systems that are operated under the 50th Operations Group. Clearly, these are not simply communications satellites.

Many of these satellites are positioned in geosynchronous orbit, and are part of a network that includes communications, tracking, and attack satellites. Using the precise GPS coordinates of any Targeted Individual, the coordinates can be transferred to local cell towers or UAV drones for additional targeting. The GPS coordinates are accurate to +/- 0.5 centimeters or better, which allows different body parts to be targeted and attacked in a grisly, daily ordeal.

Background and Supporting Information

These medical doctors, scientists, and former intelligence agents have made statements supporting the evidence that microwave satellite attacks are real, and happening on a global basis.

Dr John R. Hall, M.D., author ("New Breed: Satellite Terrorism in America")
Dr Daniel Lebowitz, M.D. (Senate Committee presentation, 2014)
Dr Barrie Trower, government Scientist, microwave expert (youtube videos)
Dr Katherine Horton, Oxford University Scientist (youtube videos)
Dr Spencer Carter, M.D. (BiggerThanSnowden.com)
Dr Colin Ross, M.D., author ("The CIA Doctors")
Dr Robert Duncan, author
Dr Doug Rokke, government Scientist
Dr Eric Karlstrom, Professor
Dr Nick Begich, Scientist
Dr Paul Batcho, government scientist
Dr Paul Marko, Psychologist
Dr Curtis Bennett, Professor
Dr Corkin Cherubini, author
Dr Matthew Aaron, Scientist
Dr Sean Andrews, Scientist
William Binney, NSA Whistleblower
Kirk Weibe, NSA Whistleblower
Karen Stewart, NSA Whistleblower
Carl Clark, CIA Whistleblower
Kevin Shipp, CIA Whistleblower
Mark Phillips, CIA Whistleblower
John DeCamp, Army intelligence Whistleblower

U.S. Air Force - Tracking Everything in Earth Orbit

Keep in mind that the U.S. Air Force has responsibility for tracking all objects in earth orbit, through many joint organizations – which means if they are not the organization responsible for targeting civilians, then they certainly know who is. If they deny it, perhaps the Air Force would like to tell us, who is responsible for the microwave satellites?

NORAD and NORTHCOM are responsible for tracking all aerial and orbital objects that may be a threat to the United States. They have headquarters located on Peterson Air Force Base. They are fully aware of everything that is in earth orbit and they know what each satellite is doing. Clearly, the Air Force knows, and the Air Force Space Command has responsibility.

“The Cheyenne Mountain Complex is located at Cheyenne Mountain Air Force Station (CMAFS), a short distance from NORAD and USNORTHCOM headquarters at Peterson Air Force Base in Colorado Springs, Colorado. Cheyenne Mountain Air Force Station falls under Air Force Space Command and hosts the activities of several tenant units.”

www.norad.mil/Newsroom/Fact-Sheets/Article-View/Article/578775/cheyenne-mountain-complex/



Figure 6. The U.S. Air Force is fully aware of every satellite in earth orbit – especially those in geosynchronous orbit. They know who launched it, and they know what each satellite does.

“USSTRATCOM's (*part of the Air Force budget*) space control mission includes: surveillance of space, protection of U.S. and friendly space systems, prevention of an adversary's ability to use space systems and services for purposes hostile to US national security interests, and direct support to battle management, command, control, communications, and intelligence. The space control mission is conducted by USSTRATCOM's Joint Functional Component Command for Space (JFCC Space).

JFCC Space, through its Joint Space Operations Center (JSpOC), detects, tracks, and identifies all artificial objects in Earth orbit. The JSpOC is a synergistic command and control weapon system focused on planning and executing USSTRATCOM's JFCC Space mission. Its purpose is to provide a focal point for the operational employment of worldwide joint space forces, and enable the Commander, JFCC Space (CDR JFCC SPACE) to integrate space power into global military operations.

The JSpOC is composed of six core divisions: Strategy Division (SRD), Space Surveillance Division (SSD), Combat Operations Division (COD), United Space Vault (USV), Intelligence, Surveillance and Reconnaissance Division (ISR), and Operations Support Division (OSD). “

 wrpinfo.org/media/1130/peterson-afb-wrp-mal-final-2016.pdf

Peterson hosts 53 tenant units including Air Force Space Command, NORAD/U.S. Northern Command, U.S. Army Space and Missile Defense Command/U.S. Army Forces Strategic Command, and the 302nd Airlift Wing.

Peterson AFB has an annual estimated economic impact of \$1.3 billion (as of 2014).

FAST FACTS

- » Location: **El Paso County, CO**
- » Land Area: **1,297 acres**
- » Space surveillance: **Tracks more than 23,000 orbiting objects**
- » Military Personnel: **5,832**
- » Civilian Personnel: **4,518**

Figure 7. Peterson AFB has more than 10,300 employees and tracks more than 23,000 objects in orbit. There are about 449 satellites in geosynchronous orbit – some of these are the microwave attack satellites. Clearly, the Air Force knows about the satellites, even if they deny their involvement. [Www.wrpinfo.org](http://www.wrpinfo.org)

From wikipedia.org:

“The United States Space Surveillance Network detects, tracks, catalogs and identifies artificial objects orbiting Earth, e.g. active/inactive satellites, spent rocket bodies, or fragmentation debris. The system is the responsibility of the Joint Functional Component Command for Space, part of the United States Strategic Command (USSTRATCOM). Space surveillance accomplishes the following:

- Predict when and where a decaying space object will re-enter the Earth's atmosphere;
- Prevent a returning space object, which to radar looks like a missile, from triggering a false alarm in missile-attack warning sensors of the U.S. and other countries;
- Chart the present position of space objects and plot their anticipated orbital paths;
- Detect new man-made objects in space;
- Correctly map objects travelling in the Earth's orbit;
- Produce a running catalog of man-made space objects;
- Determine which country owns a re-entering space object;
- Inform NASA whether or not objects may interfere with satellites and International Space Station orbits.

The SPACETRACK program represents a worldwide Space Surveillance Network (SSN) of dedicated, collateral, and contributing electro-optical, passive radio frequency (RF) and radar sensors. The SSN is tasked to provide space object cataloging and identification, satellite attack warning, timely notification to U.S. forces of satellite fly-over, space treaty monitoring, and scientific and technical intelligence gathering. The continued increase in satellite and orbital debris populations, as well as the increasing diversity in launch trajectories, non-standard orbits, and geosynchronous altitudes, necessitates continued modernization of the SSN to meet existing and future requirements and ensure their cost-effective supportability.”

Pictures of Each Officer: The Dirty Dozen or The Treasonous Twelve

1. General David. L. Goldfein, Air Force Chief of Staff
2. Dr. Heather Ann Wilson, Secretary of the Air Force
3. General John “Jay” W. Raymond
4. Major General Stephen N. Whiting
5. Major General Robert J. Skinner
6. Mr. Scott M. Anderson
7. Colonel Todd R. Moore
8. Colonel Eric S. Dorminey
9. Colonel John L. Doucet III
10. Colonel Jennifer L. Grant

11. Colonel Jacob E. Middleton
12. Colonel Devin R. Pepper

There are other officers at these Air Force Bases that are complicit in War Crimes and Treason. There are enlisted men that operate the satellites that are also complicit and should be charged with Treason. However, this short list is a start. The home addresses were obtained from publicly available information. The family names were obtained from publicly available information.



Figure 8. General David L. Goldfein, Chief of Staff

Last known address:

David L Goldfein

8052 Mitchell Ln, SW

Washington, DC 20032 (505) 479-1190

or

1 Algonquin Rd, Barrington, IL 60010



Figure 9. Dr Heather Ann Wilson, Secretary of the Air Force

Possible addresses:

Heather A. Wilson

2333 Wisconsin St, NE Albuquerque, NM 87110

9220 Guadalupe Trl, NW Albuquerque, NM 87114

4401 Northern Blvd, NE Rio Rancho, NM 87124

Washington D.C.

643 Massachusetts Ave, NE Washington, DC 20002

300 1st St, SE #WASHINGTON D.C. Washington, DC 20003



Figure 10. General John "Jay" W. Raymond, Commander

Last known address:

Jay W. Raymond

814 Hartinger St,

Colorado Springs, CO 80916 (402) 932-8162

Family names:

Mollie Raymond

John Raymond

Amy Raymond

Garry Raymond

Christina Raymond



Figure 11. Major General Stephen N. Whiting

Last known address:

Stephen N. Whiting

5195 Hearthstone Ln,

Colorado Springs, CO 80919 (571) 340-3894



Figure 12. Major General Robert J. Skinner

Last known address:

Robert J. Skinner

5024 Harvest Rd, Colorado Springs, CO 80917

Family names:

Barbara Skinner



Figure 13. Mr Scott Anderson

Possible Last known address:

Scott M. Anderson

3164 Vail Pass Dr, Colorado Springs, CO 80917 ???

or

Scott M. Anderson

964 Hartinger St, Colorado Springs, CO 80916

(Note that General Raymond lives on this street.)

Family names:

Dawn Anderson

Brian Anderson

Loretta Groccia

Patricia Clark

In my opinion, Scott M. Anderson is a CIA Officer. Let me explain. Do you find it odd or unusual that a civilian has been placed inside the senior Air Force chain of command, yet he

has access to all of the material of the senior officers? He is not required to follow military orders. He cannot be court-martialed for refusing an order. Scott is the equivalent of a Chief Financial Officer in a large organization. He plans the budgets. He does the numbers. The CIA provides a significant amount of the budget for the illegal and unconstitutional programs at the Air Force Space Command. The Targeted Individuals program is owned by the CIA. The way they control the money, is by controlling the CFO. And they can't do that, if he reports through the regular chain of Air Force command as an Air Force officer. In my opinion, Scott's loyalty is to the CIA, not the Air Force. He is a CIA Officer that is positioned in the organization to watch the CIA's money. This is additional proof of the criminal conspiracy in this organization, and the lengths that the CIA will go, to cover it up.



Figure 14. Colonel Todd R. Moore

Last known address:

Todd R. Moore

9065 Bellcove Cir, Colorado Springs, CO 80920

or

Todd R. Moore

31993 County Rd #17 21 Elizabeth, CO 80107

Family names:

Kelly Moore

Carol Moore

Timothy Moore

Earl Moore

Sally Moore

Thaddeus Moore



Figure 15. Colonel Eric S. Dorminey

Eric S. Dorminey

3750 Goose Creek Dr

Colorado Springs, CO 80920 (805) 734-3251

Family names:

Jennifer Dorminey

Jack Dorminey

Dolores Dorminey

Renee Klich



Figure 16. Colonel John L. Doucet III

Last known address:

John L. Doucet

6834 Amber Ridge Dr

Colorado Springs, CO 80922

Family names:

Lyneen Doucet



Figure 17. Colonel Jennifer L. Grant

Last known address

Jennifer L. Grant

15410 Ridgefield Ln, Colorado Springs, CO 80921

or

Jennifer L. Grant

2045 Capital Dr, Colorado Springs, CO 80915

Family names:

George Grant

Barbara Grant

Brian Grant

Laura Grant

Bryan Dahl-Melsaether



Figure 18. Colonel Jacob E. Middleton

Last known address:

Jacob E. Middleton

26042 E Geddes Cir,

Aurora, CO 80016

Family names:

Gina Middleton

Jina Middleton



Figure 19. Colonel Devin R. Pepper

Last know address:

Devin R. Pepper
413 Fair Oaks St,
Bossier City, LA 71112

Family names:

Alicia Pepper
William Pepper
Deshona Pepper
Teresa Pepper
Heidi Waltner
Donovan Pepper
David Pepper
Kathy Ellis
Joshua Montoya
James Ellis

Conclusions

Described here are the Treasonous activities of many high-ranking military officers that have

chosen to abdicate their sworn oath to the U.S. Constitution. There is no failure greater than a failed oath of office.

They do not deserve the protections of the U.S. Constitution, which they have abandoned.

If these officers believe my accusations have no merit, then they will not be bothered by them.

Keep in mind that the facilities on Peterson Air Force Base track nearly every object in Earth orbit. If these satellites belonged to any another government, then the Air Force would know about it. They simply cannot deny their knowledge, involvement and responsibility for the microwave satellites.

In my opinion, the next steps of the Air Force will be to deny responsibility, re-assign most of these officers, and try to delete all information on the internet. The Deep State will decide it is best to bury the evidence by forming a new "Space Command" as a separate military division of the U.S. Government. No one will be fooled after reading this document. The CIA is also involved. They provide the funding to the Air Force, so they control the program. Watch for my forthcoming details on the CIA in Denver.



Advertisement

washingtonpost.com > Politics > The Fed Page

CIA Plans to Shift Work to Denver

Advertisement

By Dana Priest
Washington Post Staff Writer
Friday, May 6, 2005



The CIA has plans to relocate the headquarters of its domestic division, which is responsible for operations and recruitment in the United States, from the CIA's Langley headquarters to Denver, a move designed to promote innovation, according to U.S. intelligence and law enforcement officials.

About \$20 million has been tentatively budgeted to relocate employees of the CIA's National Resources Division, officials said. A U.S. intelligence official said the planned move, confirmed by three other government officials, was being undertaken "for operational reasons."

A CIA spokesman declined to comment. Other current and former intelligence officials said the Denver relocation reflects the desire of CIA Director Porter J. Goss to develop new ways to operate under cover, including setting up more front corporations and working closer with established international firms.

Figure 20. The CIA moved its domestic Headquarters to Denver. The CIA provides the funding to the Air Force for these War Crimes.

This document is a living document. The author reserves the right to make corrections and changes.

References

1. RLighthouse.com
2. TargetedJustice.com
3. Dr Steven Greer, M.D. "Unacknowledged", The Orchard Publishing, 2017. Also see the video.
4. Richard Lighthouse, "Faces of the Deep State", 2018. smashwords.com and amazon.com; RLighthouse.com
5. Richard Lighthouse, "Targeted Individuals: Technical Information", 2017. smashwords.com and amazon.com. RLighthouse.com
6. www.Peterson.af.mil; 2018.
7. www.Schriever.af.mil; 2018.

About: The author holds a Master of Science (M.Sc.) degree in Mechanical Engineering from Stanford University and has previously worked for NASA.

Contact: owenc787 at --gmail.com
RLighthouse -at- protonmail.com
713.three zero six.8287

Funding:

This research was generously supported with a grant from the Foundation Opposed to Academic Puffery (FOAP).

APPENDIX

I am a government whistleblower – see my ebooks about the criminal acts of the CIA and FBI. Readers are advised that the NSA may be blocking or restricting access to some of my ebooks, especially outside the United States. Readers are further advised that digital tracking tags may have been placed in my ebooks. It may be best to download from Apple iBooks, if possible. Note how slowly the jpg's load into the ebook when viewing. The content of some ebooks may have been altered – still trying to monitor this. If you have tried to contact me, it is possible that emails and phone calls are being blocked (Owenc787 at gmail) 713.three.zero.six.8287.

Readers are advised to review the website drjudywood.com which provides compelling evidence about 9-11. Dr Judy Wood and Dr Morgan Reynolds, university professors, filed lawsuits against the US Government for fraud and conspiracy about 9-11. Dr Woods scientific presentation is available at youtube. Readers are also advised to see the movie "Sirius" by Dr Steven Greer, M.D. It is available for free on Netflix, where it is the #1 documentary, and to watch the youtube videos by the Honorable Paul Hellyer, former Canadian Minister of Defense. He has a book titled, "The Money Mafia."

Also, find my brief educational videos on youtube (Some have been blocked from the search engines).

For more than 5 years, this author has been stalked, harassed, and threatened by US Government agents from the CIA, FBI, and NSA - because of the content of these ebooks. My home has been broken into, repeatedly. In May 2014, my girlfriend was drugged and kidnapped from LaGuardia airport. This is not a joke. My computer, phone, and alarm system have been hacked, including those of my friends and family. It is truly sad and pathetic, these agencies have become criminal organizations. If something happens to me (disappearance, false criminal charges, sudden accident, etc. - my readers can be certain that the FBI and CIA were involved. In my opinion, the Council on Foreign Relations (CFR) is behind these criminal acts; David Rockefeller has been the CEO and Chairman for many years.

Search for books, authors, or series.



[Publish](#) [Library](#) [Dashboard](#) [Account](#) [Podcast](#) [FAQ](#)

Adult Content:

ISBN Assignment Results for *Treason at the Air Force Space Command*

Congratulations!

You have assigned an ISBN to your book [Treason at the Air Force Space Command](#).

ISBN: 9781370906369

Title: *Treason at the Air Force Space Command*

Author: Richard Lighthouse

Publisher: Smashwords, Inc.

[Back to ISBN Manager](#)

[n](#) | [Blog](#) | [Smart Author Podcast](#) | [Affiliates](#) | [FAQ](#) | [Support](#) | [Privacy Statement](#) | [Terms of Service](#) | [Jobs](#) | [Sign Out](#)

Copyright © 2018 Smashwords, Inc. All rights reserved.



Figure 21. ISBN for the ebook.

Appendix 2.



David Grim
170404-F-WA288-001.JPG

[DOWNLOAD PHOTO](#)
(1.1 MB)

1 SOPS Airman highlighted by AFSPC/CC

Staff Sgt. Darren Mucha, 1st Space Operations Squadron NCO in charge of weapons and tactics, stands for applause while being recognized by Gen. John Raymond, Air Force Space Command commander, during the annual Space Symposium in Colorado Springs, Colorado, Tuesday, April 4, 2017. Raymond highlighted Mucha during a keynote speech on warfighters as an example of someone leading the way in employing geosynchronous space situational awareness. (U.S Air Force photo/David Grim)

Tags

[◀ Back to Main Gallery](#)

Figure 22. More Proof of the Weapons Systems: Staff Sargent Darren Mucha, 1st Space Ops Squadron, is responsible for weapons and tactics. That doesn't sound like a communications satellite.



Senior Airman Arielle Vasquez
170521-F-IX728-081.JPG

[DOWNLOAD PHOTO](#)
(0.93 MB)

3 SOPS celebrates heritage with final dining-out

Capt. Wesley Althaus, 3 SOPS Weapons and Tactics flight commander, pours ingredients into a grog during a dining-out at Peterson Air Force Base, Colorado, Saturday, May 20, 2017. The grogs remained open throughout the duration of dinner and anyone in the mess could have been called out to visit the grog for mess rule violations. (U.S. Air Force photo/Senior Airman Arielle Vasquez)

Tags
[Dining Out](#)

Figure 23. Captain Wesley Althaus, 3rd Space Ops Squadron is a Flight Commander for Weapons and Tactics. Since when did a “communications satellite” have weapons and tactics? Clearly, the satellite has a weapon attached to it.



2nd Lt. Darren Domingo
161011-F-NG695-008.JPG

[DOWNLOAD PHOTO](#)
(0.26 MB)

4 SOPS mobile team takes flight

Senior Airman Hans Houser, 4th Space Operations Squadron mobile Extremely High Frequency satellite operator and weapons manager, reads aboard a C-17 Globemaster III during a flight to their Hawaii operating location. The team executed a rare mobile space operating contingency mission in a peacetime environment outside the continental United States. (U.S. Air Force photo/2nd Lt. Darren Domingo)

Tags
[4 sops](#), [mobile](#), [Space Operato](#)

Figure 24. More weapons and tactics for a “communications satellite.” Airman Hans Houser, 4th Space Ops Squadron, operates satellites and is a weapons manager.



Figure 25. The Vice Chairman of the Joint Chiefs, General Paul J. Selva. He has previously been the head of the Directed Energy program for the entire military. He certainly knows that the microwave weapons are being used to target civilians.

2024 Jennings St
Woodbridge, VA 22191
703-730-1549

Family members:

Ricki
Dennis
Megan
Michael



Figure 26. Brig General Deanna M. Burt, previous commander of the 50th Space Wing at Schriever AFB. You can be certain that she knows the Operations Group is targeting a hundred thousand civilians everyday. It is a War Crime and it is Treason.

Last address:

4733 Knollvale Dr

Colorado Springs, CO 80922

(she is now at Nellis AFB, in Nevada, where she is Vice Commander)

Family members:

James

Karen

Jesse